



Wine Dispenser

CORRECT DELIVERY
AND STORAGE



BY THE GLASS BV
Bloemendaalseweg 4-A
2061 CK Bloemendaal
Netherlands

Tel.:
+31(0) 235 252 289

Fax:
+31(0) 235 253 089

e-mail:
info@bytheglass.eu

Website:
www.bytheglass.eu

Correct Delivery and Storage

This is a check list of construction and technical facilities at supply and storage at restaurants and cafés drawn by company By The Glass BV in cooperation with s Horecatechniek office Centraal Brouwerij Kantoor.

Building accessibility

- Access to the building must be from a public road.
- Roads for trucks and suppliers.
- Road must be flat and hardened, without any sills and god for containers on wheels or trucks carrying palettes The road should 1 meter wide as a minimum .
- Parking availability.

Accessibility

- Possibilities of loading and unloading as per ARBO Act.
- Corridors and areas with flat floors without any sills.
- Correct lighting 200 lux as a minimum.
- Appropriate stapes - certainly when ware has to be transported on staircase (no spiral staircase)
- Sufficient number of people to help at putting the dispenser at a selected space shall be available.
- By The Glass shall have the possibility to implement its delivery independent of other works in the building.
- Therefore, delivery route should be free of any cables, lines, tubing and should be protected against any damage arising at transport.

Cooling

- Cooling unit should be placed at a well-ventilated service well accessible. The wine dispenser heat output is 700 watt.
- A space of 100mm must be left out to provide for correct suction and exhaustion of the cooling motor.
- At separated positioning outdoors, be careful about excessive noise and protection against extreme cold.

- For every cooling group, a separated electrical group 230 V/16 A and a wall socket should be available.
- The distance between the unit and the subject to be cooled should not be more than 15 metres.

Piping and wiring course

- The distance between the wine dispenser and the nitrogen bottle shall be as short as possible; recommended distances are:
< 25m horizontally, < 10m vertically.
- Sufficient quantities of various equipment must be available to install the wine dispenser :
 - Wall socket 230 V (at a determined place)
 - Condensate drainage 32mm (at a determined place)
 - Drain hose, nitrogen hose and socket bushing (at a determined place)
 - The nitrogen hose shall be installed between the dispenser and the bottle

Positioning area

- The area of the dispenser placement should be flat and even.
- The area should be well accessible for cleaning.
- In the area, there should be sufficient space next to the motor area to provide for air circulation
- The motor area should be accessible for servicing and maintenance any time.
- Above the dispenser, sufficient area should be provided to remove the cover and make the equipment at the dispenser top well accessible for servicing and maintenance.
- A condensed water drain should be installed.
- The wall socket 230 V/16 A should be grounded

General

- No construction works, plumbing and electrometrical works shall be done by By The Glass servicing.
- It is recommended that all the plans are discussed with your agent as early as possible to employ all the possibilities.



By the Glass Wine Dispenser specification

Options													
Cooling motor at the left													
Cooling motor at the right													
Separate cooling motor	<ul style="list-style-type: none"> – placement not more than 15 metre – more than 15 metre 												
Finish material	<ul style="list-style-type: none"> – stainless steel (RVS) – wood of various colour (extra price) 												
Pumping places	<table border="1"> <tr> <td>6</td> <td>8</td> <td>10</td> <td>12</td> <td>14</td> <td>16</td> </tr> <tr> <td colspan="6">more/different finish if required</td> </tr> </table>	6	8	10	12	14	16	more/different finish if required					
6	8	10	12	14	16								
more/different finish if required													

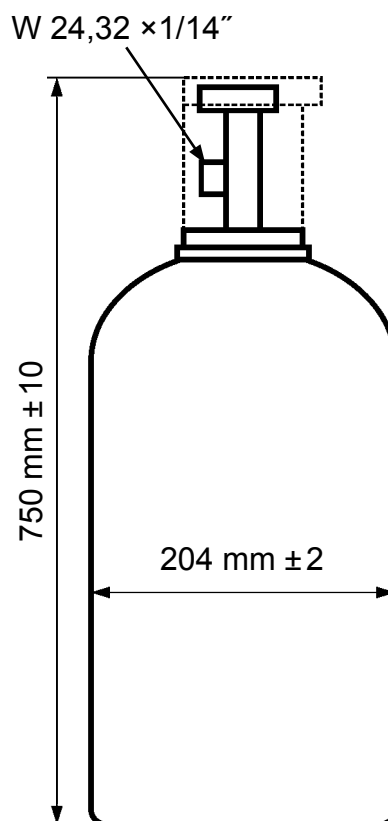
Technical specification						
Supply	230 V / 50 H					
Consumption	450 W					
Cooling agent	R 134 a					
Pumping places	6	8	10	12	14	16
Weight [max. kg]	75	85	100	115	130	145
Height [mm]	620					
Depth [mm]	340					
Width standard [mm]	1130	1330	1530	1730	1930	2180
Width in case of split engine [mm]	985	1185	1385	1585	1785	2035
Width standard with card system	1130	1330	1530	1730	1930	2180
Width in case of split engine with card system	1130	1330	1530	1730	1930	2180
Separated cooling motor dimensions [mm]	450×330×230					

Nitrogen bottle technical information

NKC bottle

Volume 2,7 m³
(dimensions the same as those of 10 kg carbonic acid bottle)

Gaseous nitrogen

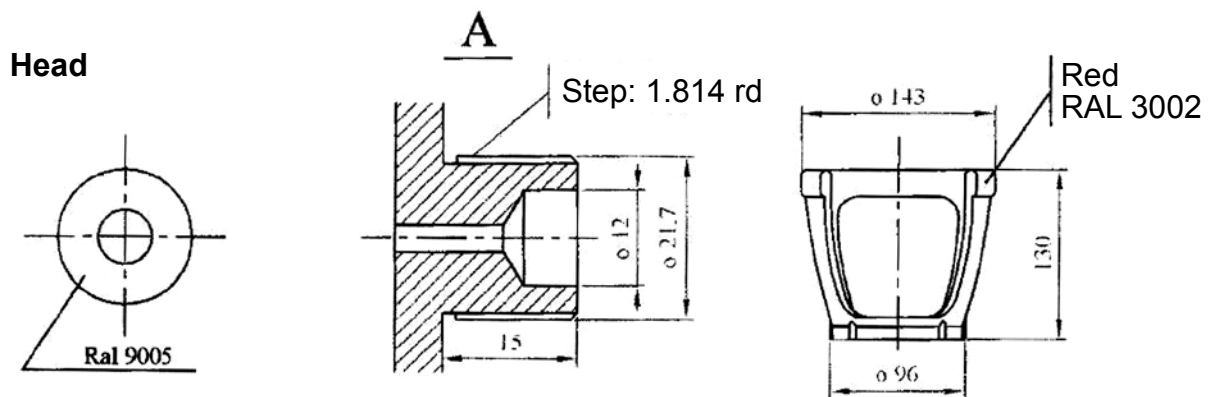
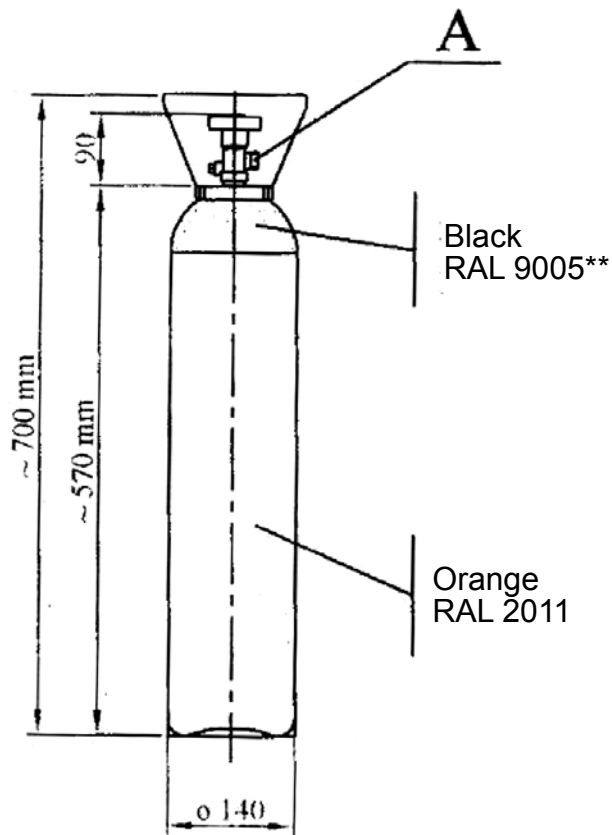


Bottle B7

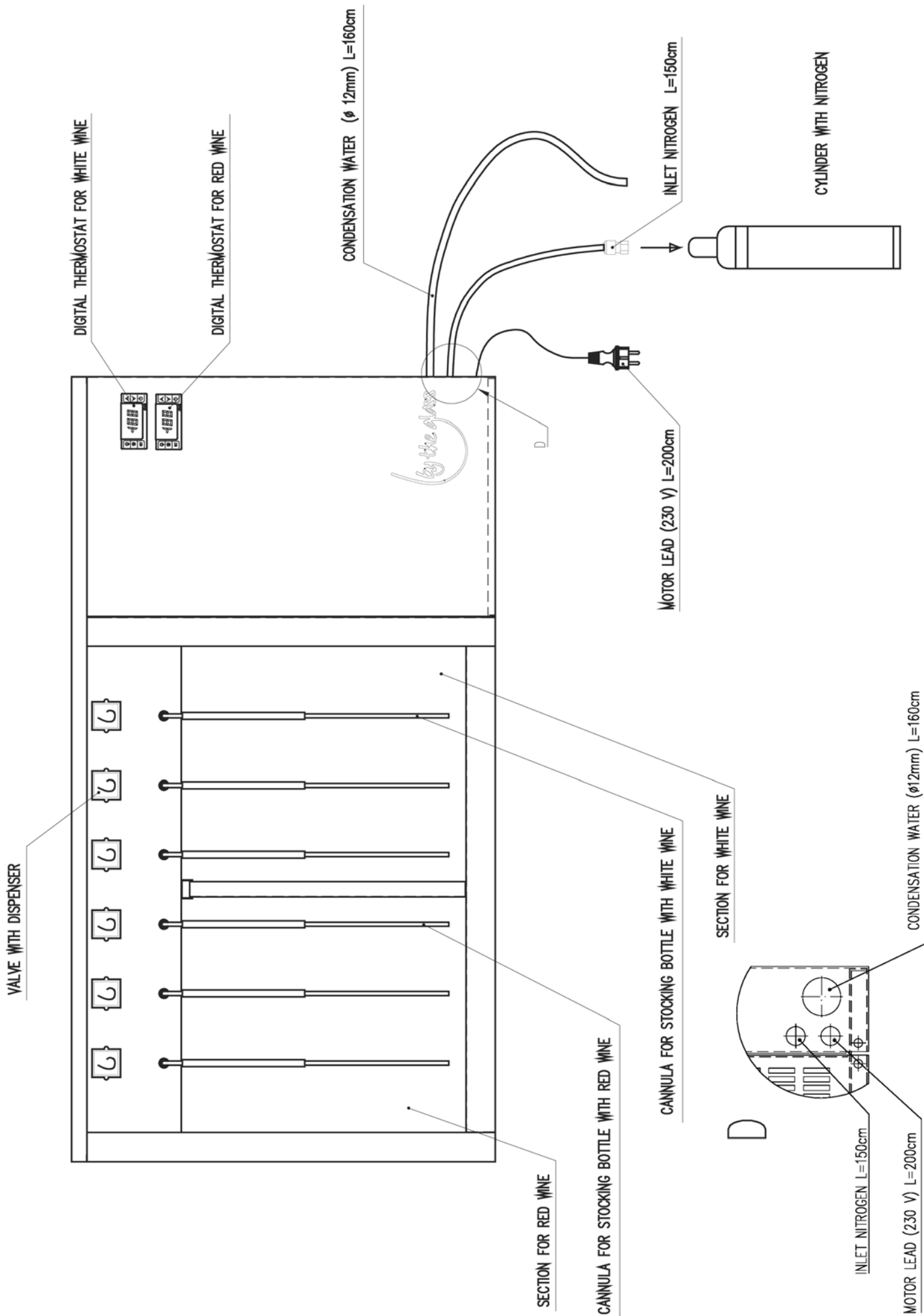
ACP bottle	1,12 m ³
Gaseous nitrogen	N ₂
Test pressure	250 bar
Filling pressure	150 bar
Water volume	6,7 l
Gas volume *	1,12 m ³
Packaging weight	± 12 kg

* shown in m³ at 15 °C and 1 bar abs

** Standard colour NBN EN 1089-3



According to DIN 477/NBN 226



Wine Dispenser Related CONSTRUCTION MEASURES

Description of work operation

**to be carried out by the operator
(or the operator's building contractor/fitter)
in relation to positioning
of the wine dispense**

1 General

- 1.1 At the beginning of the wine instrument installation, the site available should be clean and tidy. Any work operations and other works should be completed before the wine dispenser installation. The work operations shown below and other work has to be ready before the wine dispenser installation begins .
- 1.2 By The Glass shall not perform the following operations:
 - Building up or reconstruction of desks
 - Plumbing, electrical and/or construction measures
 - Grooves and seams for pipelines
 - Positioning the nitrogen hose
- 1.3 The required date of installation shall not be fixed earlier than a minimum of 6 weeks after the date of consultation /offer and an agreement with u By The Glass and approval by a representative shall proceed.
- 1.4 Beginning from 1 July 1993, asbestos production, processing or machining is forbidden in the Netherlands. Based on stocktaking and assessment of risks (Arbo Law), all the employers are obliged to check whether persons may be exposed to asbestos. Asbestos may be found in cooling furniture or structures inside the building (wall covering, floors, cable bushings etc.). **By The Glass employees are not allowed to do any operations on the materials containing asbestos.** Where it is necessary to get out, it shall be done at the expenses of the owner of the material containing asbestos b.
- 1.5 By the Glass company shall carry away the protection and packaging materials of the wine dispenser.

2 Plumbing

- 2.1 The wine dispenser has a hose to drain the condensate and a connection to the permanent water drain is preferred.

3 Electrical equipment

- 3.1 A wall earthed socket has to be installed to serve the wine dispenser. Every wine dispenser needs 1 socket for a free group 220 V/16 A.
- 3.2 For information of an electrician measured outputs are as follows:
consumption \pm 260 watt

4 Nitrogen detection and/or suction

- 4.1 Regulation on Arbo procedure related to nitrogen is the same as the procedure related to carbonic acid.
Shortly, the contents of the regulation are as follows:
An inn keeper shall adjust the air exchange or detection in a room, in which more than 3 kg carbonic acid are stored or used.
- 4.2 The nitrogen bottles supplied by Heineken Brouwerijen are filled with 2,7 m³ gaseous nitrogen as a maximum.
The detection is not compulsory.

5 Measures related to nitrogen piping

- 5.1 The distance between the nitrogen bottle and the wine dispenser should be as short as possible; recommended preferred distances are as follows:
< 25 m horizontally, < 10 m vertically.

6 Other measures

- 6.1 Boring and/or cutting holes and/or grooves for pipelines is to be done in a place determined by the fitter.
- 6.2 During the wine dispenser commissioning, glasses, nitrogen and bottles of wine must be available in the course of handover. Besides, it is necessary that prepared are or later carried out construction facilities such as the current and other adaptations.

6.3 To be also executed:

.....
.....
.....
.....
.....
.....
.....
.....
.....

7 Notices/records

Delivered to the customer: meter of nitrogen hose
1 U-clamp to provide for wall fitting of the nitrogen bottle

.....
.....
.....
.....
.....
.....
.....
.....

*If anything is not clear and you wish to get more information, contact
By The Glass BV.*

8 By The Glass address and telephone

Address:

By The Glass BV
Bloemendaalseweg 4-A
2061 CK Bloemendaal
Tel.: +31(0) 235 252 289
Fax: +31(0) 235 253 089
e-mail: info@bytheglass.eu
Website: www.bytheglass.eu



Have you spoken to the fitter:

DRAWING

Company

Municipality

