

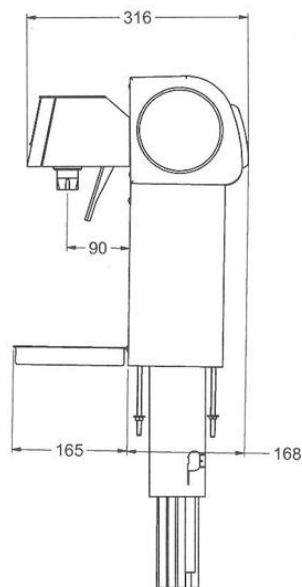
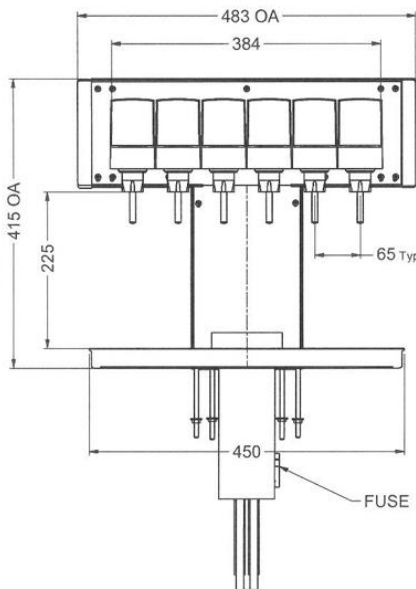


Aurora Tower, a beverage dispenser designed for bench mounting, offering the capability to dispense six different beverage brands. The system efficiently mixes syrup and soda/water at a predetermined ratio, with Valve 1 providing the flexibility to choose between water or soda for mixing with the syrup. This dispenser is specifically engineered to be complemented by a remote chiller for optimal performance.

- The Lancer Aurora Tower is a bench mounted Beverage Dispenser that can dispense up to 6 beverage brands.
- The dispenser will mix the syrup and soda/water at a pre-set ratio.
- Valve 1 and valve 6 can be set to deliver either water or soda to be mixed with the syrup.
- This dispenser is designed to be supported by a remote chiller.

Configuration

Dimensions	Width: 483mm, Depth: 333mm, Height: 415mm
Weight	Shipping: 15kg
Fitting	Soda Supply & Return: 9.5mm ID 15mm OD LPD tube Water supply: 6.35mm ID 11mm OD LPD tube Syrup Supply: 6.35mm ID 11mm OD LPD tube



Warranty

For warranty specifics by product, contact your Lancer Sales Representative, Equipment design and/or specifications are subject to change without notice.