

# INVERTED T-PIPE



## INVERTED T-PIPE FOUNT AT A GLANCE

We can custom make any founts to suit your individual needs in a range of finishes, such as stainless steel, chrome, copper, or gold plated.

### SPECIFICATIONS

- FINISH: High polish
- MATERIAL: Stainless steel 304 grade
- TOP THREAD: 3/4" BSP connection
- MOUNTING: Ladder lock

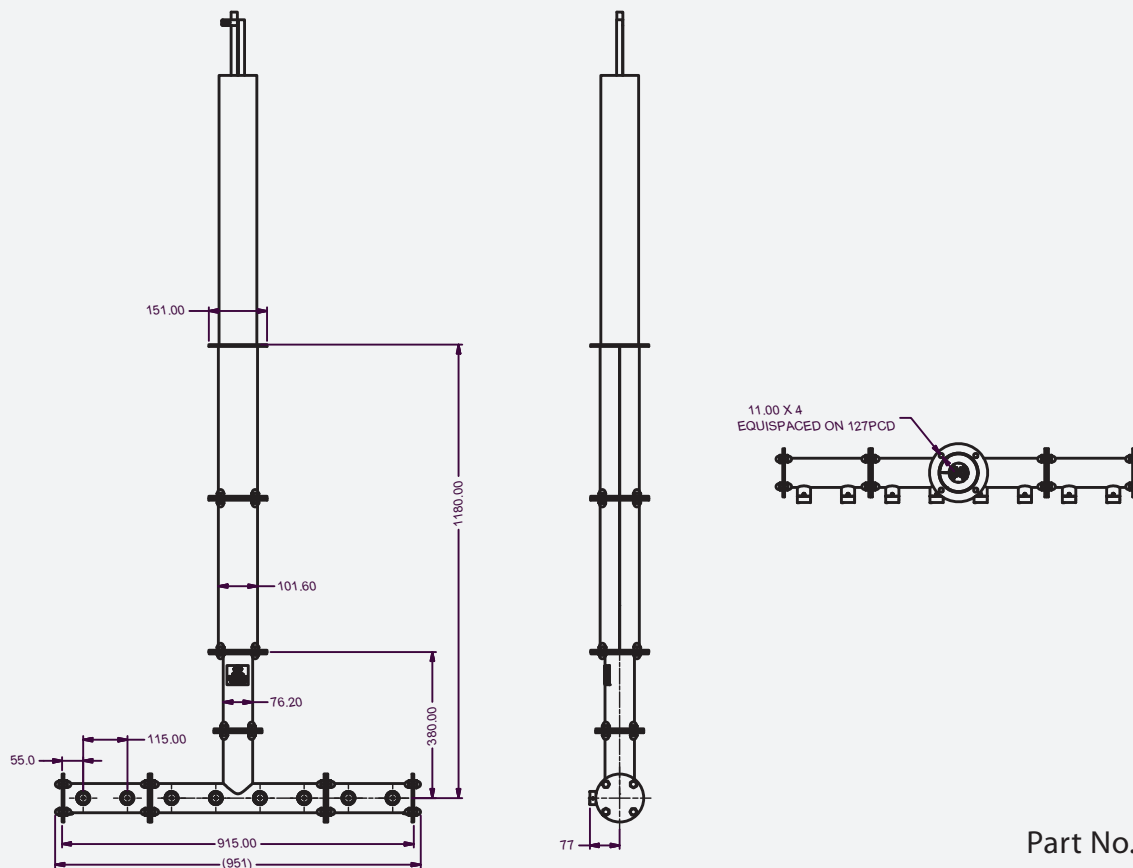
### OPTIONS

- Decal discs
- Taps & Adaptors
- Custom made dimensions on request

### COLOURS

- Various plating colours

### TECHNICAL DRAWING



Part No.: 34100108