

Bayfield Fount

5-13 Taps



OPTIONS AVAILABLE



No. of Taps
5-13



Riser Line Size
4-5 mm



Flooded
All



Adaptor connect
¾" All

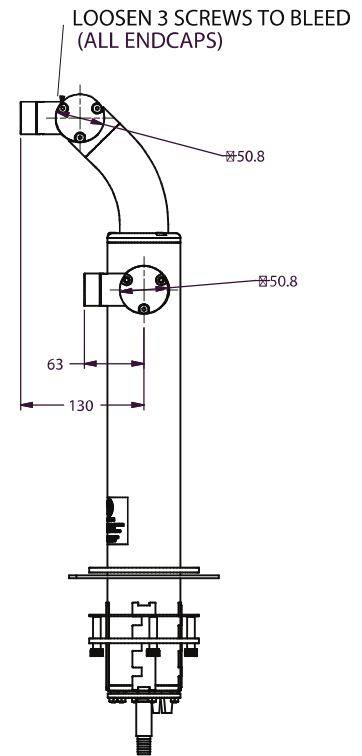
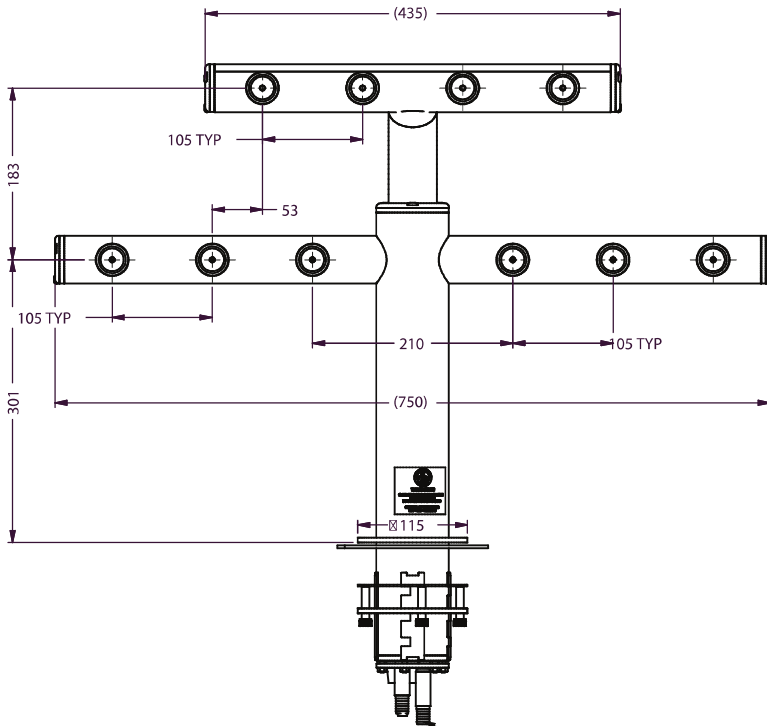
With more than 50 years experience, Lancer Worldwide has a team of experts ready to provide you with a draft system that is unique to your business. Our **Founts** provide a customizable and profitable solution to pouring any draft beer at any time in the most energy efficient package the industry can offer.

All **Founts** feature the following:

- High Polish 304 Stainless Steel Finish
- Mounting - Ladder Lock
- Various Plating Colours
- Custom made dimensions on request

Bayfield Fount

TECHNICAL DRAWING



Part No.: 34000164

For more Information visit lancerbeverage.com or call +61 8 8268 1388

5 Toogood Avenue, Beverley • SA 5009 • 1300 551 361 • ©2020 Hoshizaki Lancer Pty Ltd. • Bayfield Fount 05/20



WARRANTY

For warranty specifics by product, contact your Lancer Sales Representative. Equipment design and/or specifications are subject to change without notice.