



### OPTIONS AVAILABLE

No of Taps	Riser Line Size	Flooded	Adaptor connect
1	4-5 mm	All	¾" All

With more than 50 years experience, Lancer Worldwide has a team of experts ready to provide you with a draft system that is unique to your business. Our **Founts** provide a customizable and profitable solution to pouring any draft beer at any time in the most energy efficient package the industry can offer.

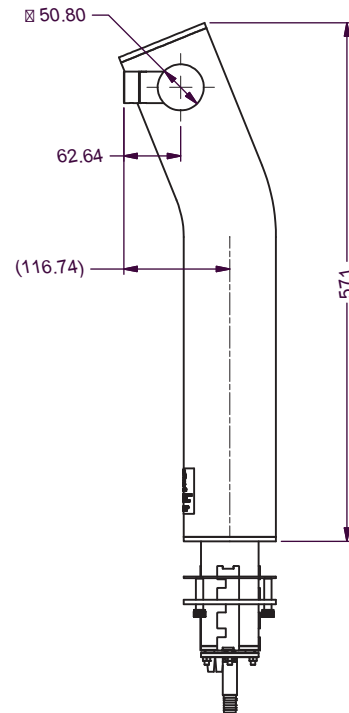
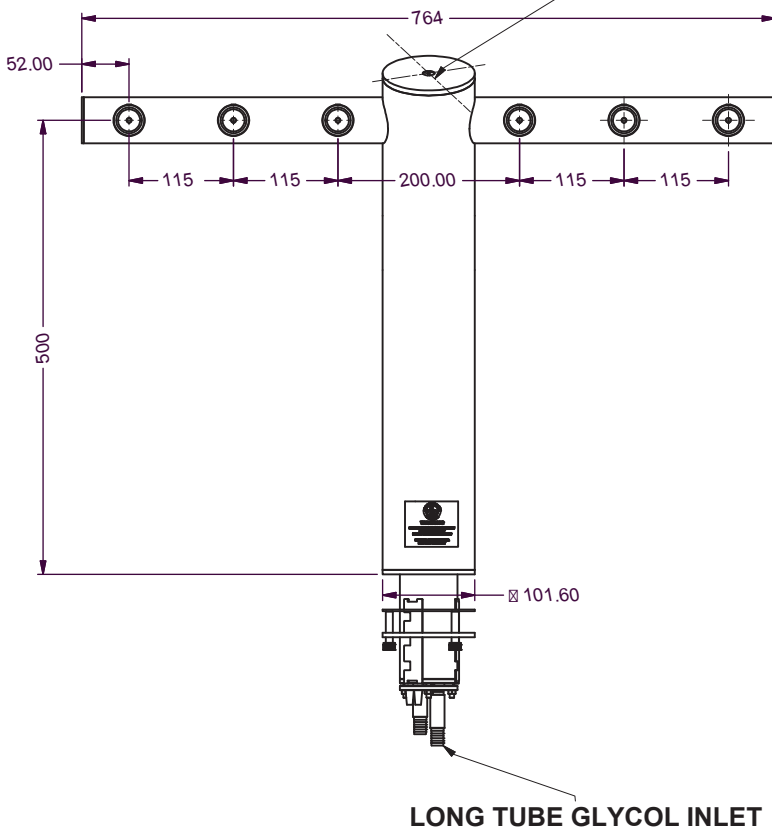
All **Founts** feature the following:

- High Polish 304 Stainless Steel Finish
- Mounting - Ladder Lock
- Various Plating Colours
- Custom made dimensions on request

Clipper MultiTap Fount

### TECHNICAL DRAWING

LOOSEN SCREW TO BLEED



Part No.: 34000470