

## Inverted T-Pipe Fount

4-12 Taps

Inverted T-Pipe 4 □ 12 □



### OPTIONS AVAILABLE

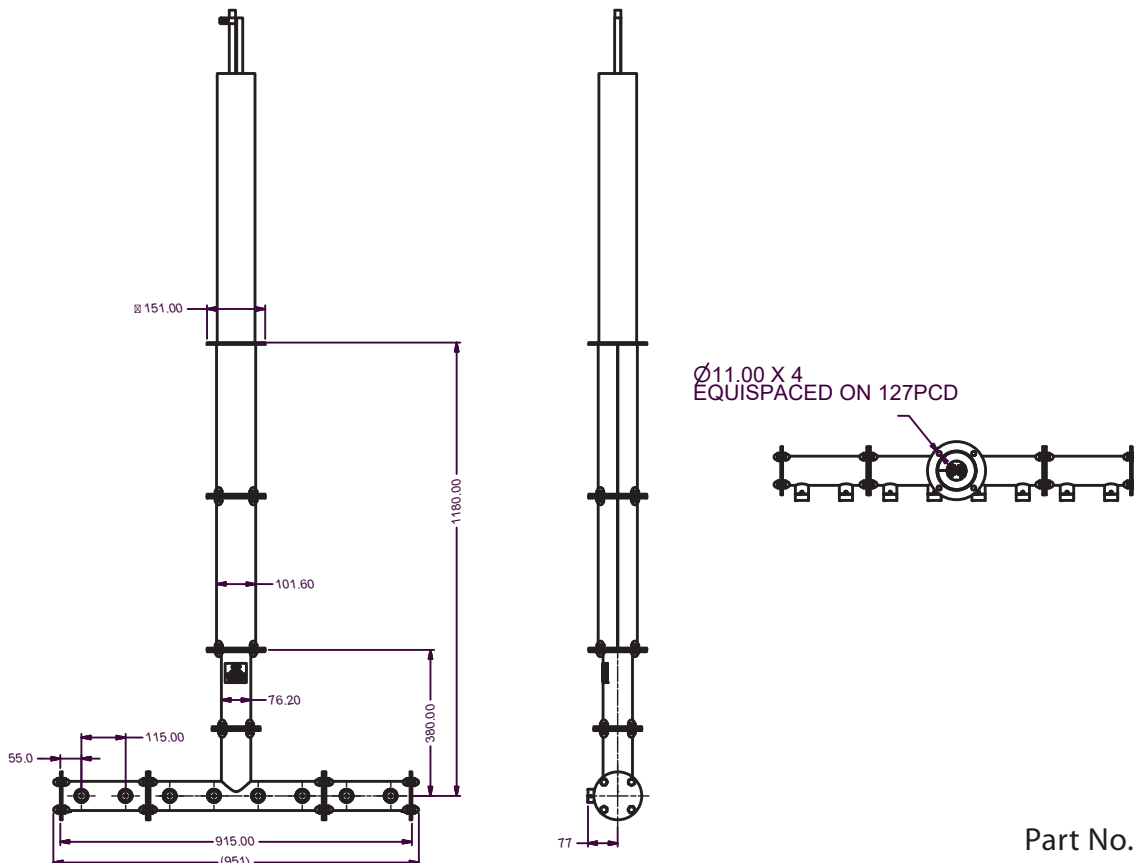
No of Taps	Riser Line Size	Flooded	Adaptor connect
4-12	4-5 mm	All	¾" All

With more than 50 years experience, Lancer Worldwide has a team of experts ready to provide you with a draft system that is unique to your business. Our **Founts** provide a customizable and profitable solution to pouring any draft beer at any time in the most energy efficient package the industry can offer.

All **Founts** feature the following:

- High Polish 304 Stainless Steel Finish
- Mounting - Ladder Lock
- Various Plating Colours
- Custom made dimensions on request

### TECHNICAL DRAWING



Part No.: 34100108

Inverted T-Pipe Fount



#### WARRANTY

For warranty specifics by product, contact your Lancer Sales Representative. Equipment design and/or specifications are subject to change without notice.