



Pre-mix beer cooler LIFE 50.  
Eco-friendly cooler with gas R290, reduced energy consumption and 40% higher performance compared to R404 coolers.

### BASE IN ST. STEEL

It features a special opening to speed up technical maintenance.

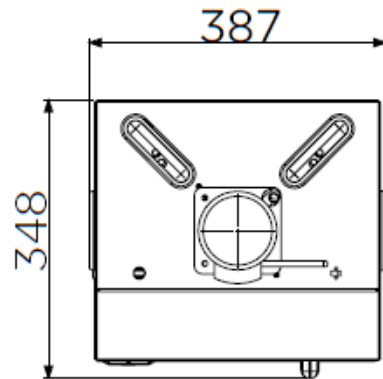
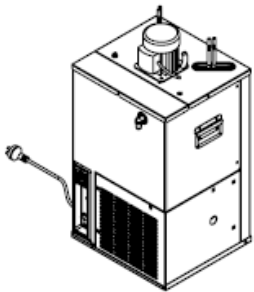
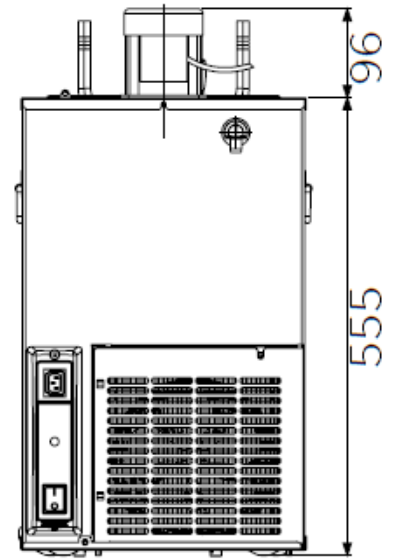
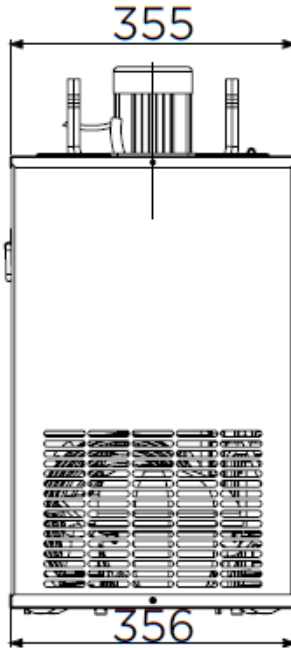
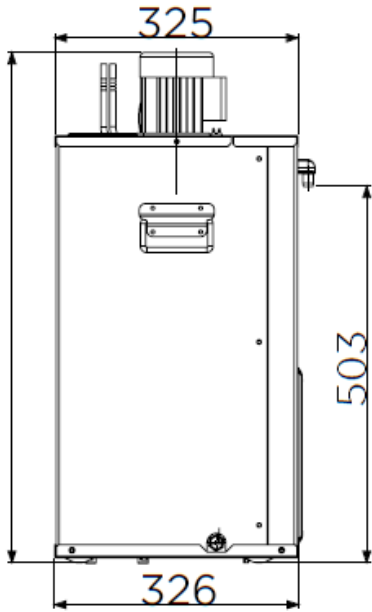
### FEATURES

- COMPRESSOR 1/4 HP
- COOLING CAPACITY 50 LT./HOUR
- POWER 539W

### SPECIFICATIONS

<b>Power</b>	1/4 HP	<b>Power consumption</b>	216 W
<b>Type of refrigerant gas</b>	R290	<b>Related current</b>	3.1A
<b>Rated power</b>	539W	<b>Operating temperature allowed</b>	+10°/+43°C
<b>Number of cooling coils</b>	1-3	<b>Max relative humidity allowed</b>	80%
<b>Tank capacity</b>	18 Lt.	<b>Weight (unladen static load)</b>	23 Kg.
<b>Ice bank</b>	8 Kg.	<b>HOUSING</b>	Steel Plast or AISI 304 base in AISI 430
<b>Cooling capacity (in +25°C / out -4°C)</b>	50 Lt./hour		
<b>Beverage temperature IN/OUT</b>	+24°C +4°C		
<b>Supply voltage standard frequency</b>	220/240V -50Hz 115V - 60Hzz 220V - 60Hz		

## TECHNICAL DRAWINGS



Life 50 Chiller