



Nitro Fusion Coffee Dispenser This frothy nitrogenated beverage with a beer-like head is rich in flavor, smooth to the palate, and provides an adult beverage feeling without the alcohol. Cold brew coffee is a source of antioxidants, and has less acidity and more caffeine than hot brews.

Features

- Low cost to entry, quick ROI
- Minimal space, maximum output
- No additional product refrigeration needed
- Serves brewed coffee or pre-mix
- Consistent rich creamy cascading pour
- NSF certified
- Dispensing Solutions that **Pour More**

Nitro Fusion Coffee Dispenser

Certified by these agencies:



CUSTOMER SERVICE

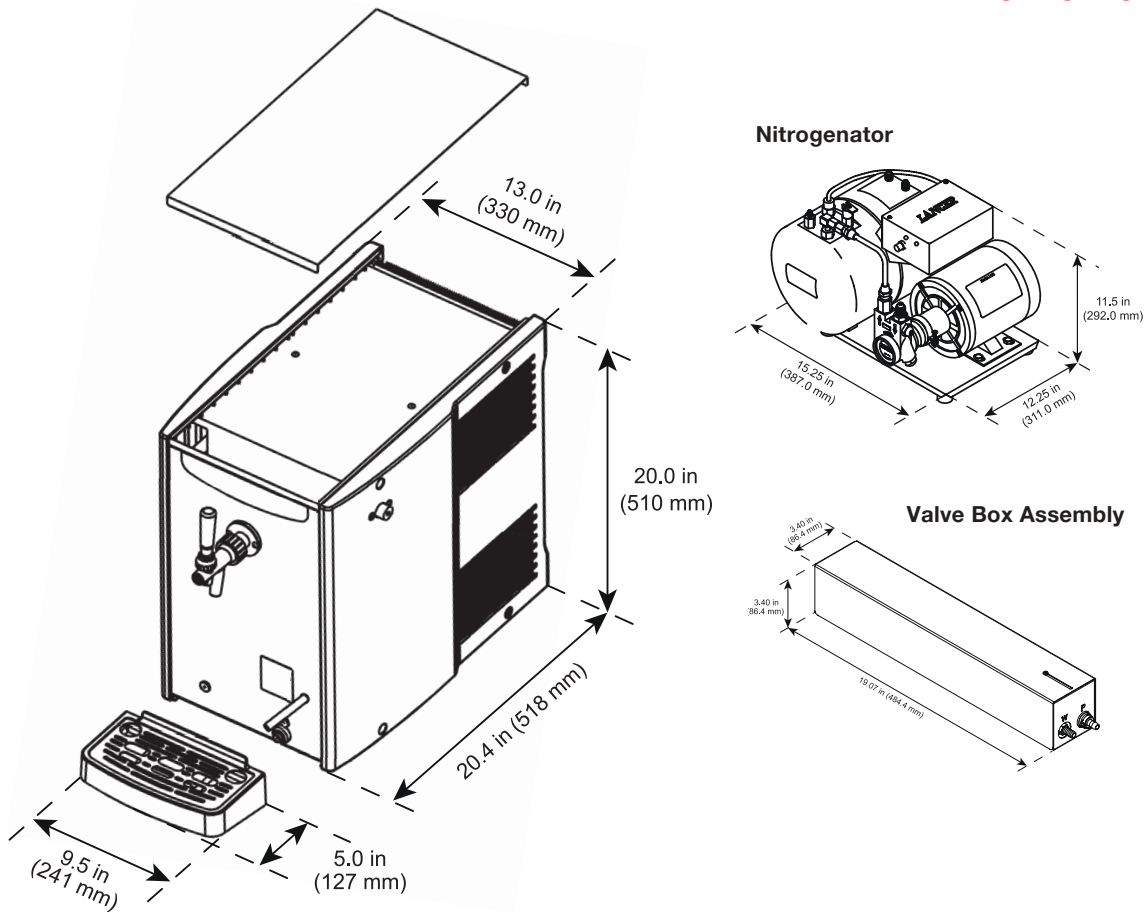
Should you require more information about our products, please do not hesitate to contact our customer service team at lancerservice@lancerworldwide.com

WARRANTY

For warranty specifics by product, contact your Lancer Sales Representative. Equipment design and/or specifications are subject to change without notice.

For more Information visit lancerbeverage.com or call +61 8 8268 1388

Distinctive Design



Dimensions

Width: 13.0" (330mm)
 Depth without drip tray: 20.40" (518mm)
 Depth with drip tray: 25.40" (645mm)
 Height: 20.07" (510mm)

Weight

61.70 lbs (28kg)
 ELECTRICAL
 115V 60Hz

Refrigerant

R134a

Dispensing Capacity

Ambient product (75F) will dispense
 340oz / per hr at <42F

Ice Storage Capacity

17.60 lbs (8kg)

Accessories Included

Tap
 Handle
 Drip Tray
 Syrup pump
 Valve box assembly
 Nitrogenator

Additional Items Required

Primary regulator
 Secondary regulator
 Tubing
 Hose clamps

For more Information visit lancerbeverage.com or call +61 8 8268 1388