

# SLIMLINE



## SLIMLINE FOUNTAIN

### AT A GLANCE

Lancer Slimline single tap fountains are locally fabricated by our highly skilled staff using the finest materials. Ideally suited to a modern property, the Lancer Slimline fountains, when installed add another dimension to the well designed bar.

#### SPECIFICATIONS

- FINISH: High polish
- MATERIAL: Stainless steel 304 grade
- TOP THREAD: 3/4" BSP connection
- MOUNTING: Ladder lock

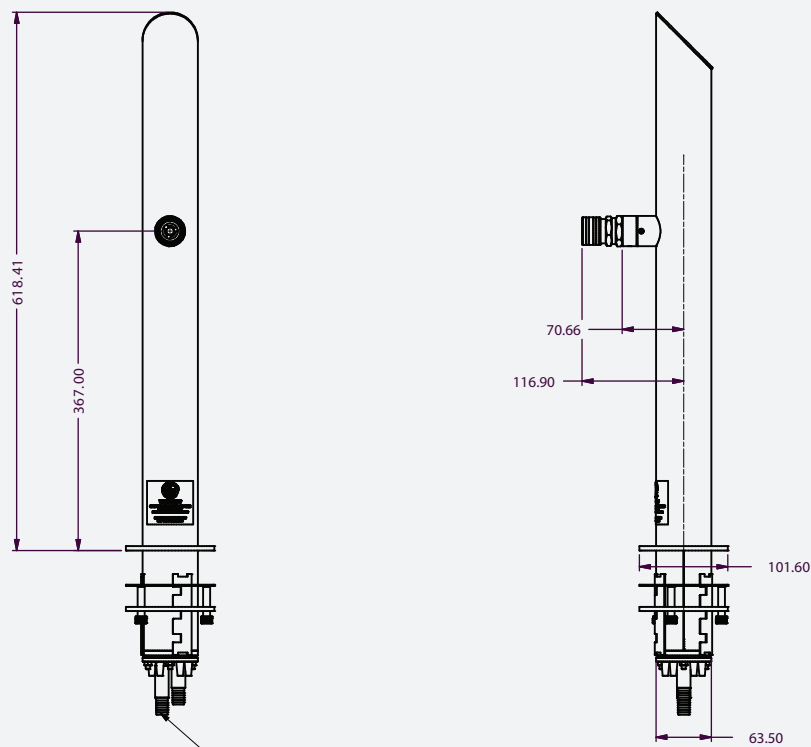
#### OPTIONS

- Decal discs
- Taps & Adaptors
- Custom made dimensions on request

#### COLOURS

- Various plating colours

#### TECHNICAL DRAWING



LONG TUBE GLYCOL INLET

Part No.: 34000151