

Twist T Bar Fount

1-4 Taps



OPTIONS AVAILABLE



No. of Taps

1-4



Riser Line Size

4-5 mm



Flooded

All



Adaptor connect

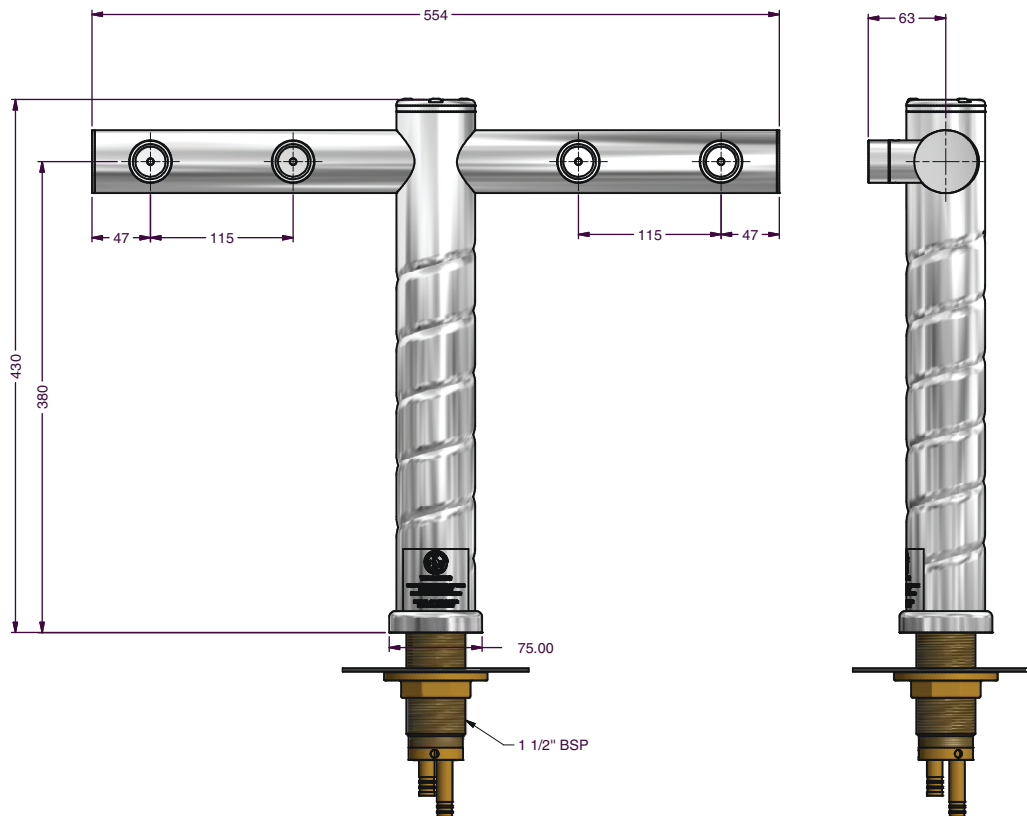
3/4\"/>

With more than 50 years experience, Lancer Worldwide has a team of experts ready to provide you with a draft system that is unique to your business. Our **Founts** provide a customizable and profitable solution to pouring any draft beer at any time in the most energy efficient package the industry can offer.

All **Founts** feature the following:

- High Polish 304 Stainless Steel Finish
- Mounting - Ladder Lock
- Various Plating Colours
- Custom made dimensions on request

TECHNICAL DRAWING



Part No.: 34000714

Twist T Bar Fount