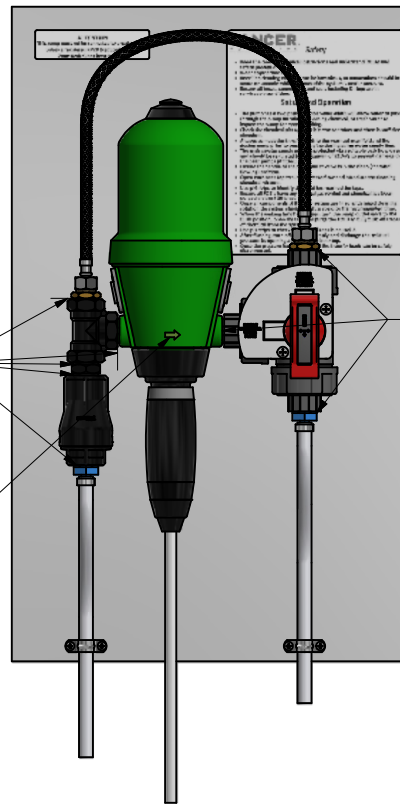
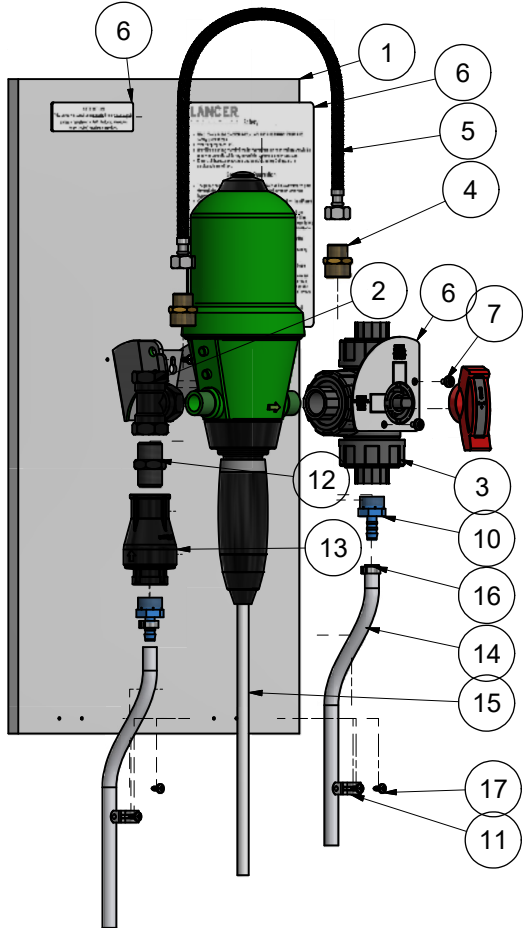


REV		ECN #		REVISION HISTORY			DATE	BY	AUTHORITY
001		#6064		RELEASED			01-Feb-21	craigg	M.Varney



APPLY TEFLON TAPE ON THREAD (79147665)

APPLY TEFLON TAPE ON THREAD (79147665)

NOTE PUMP FLOW DIRECTION

- USE DRILL TEMPLATE TO PRE DRILL HOLES & TO STICK PROCEDURE & WARNING LABELS ON BOARD.
- FIX PUMP BRACKET TO BOARD WITH 3 X SCREWS.(17)
- ASSEMBLE POLY TEE(2) TO POLY NIPPLE(12) PUMP(18)NON RETURN VALVE(13) 1X DIRECTOR(10) & 1 X BRASS NIPPLE (4).NOTE DIRECTION ARROW ON PUMP USE TEFLON TAPE(20) ON ALL THREADS.
- REMOVE HANDLE FROM 3WAY VALVE(3) SECURE LABEL PACK HANDLE POSITION LABEL WITH 2 X SCREWS(7) TO VALVE BODY, REPLACE HANDLE.
- ASSEMBLE 1 X DIRECTOR(10) & 1 X BRASS NIPPLE(4) USE TEFLON TAPE (20) ON ALL THREADS.
- ASSEMBLE BRAIDED HOSE (5) BETWEEN BOTH BRASS NIPPLES (4). **CAUTION DO NOT USE TEFLON TAPE ON THESE THREADS.**
- ASSEMBLE BOTH FLEXLAYER TUBES (14) ON TO DIRECTORS (10) & SECURE WITH CLAMPS (16).
- SECURE TUBES (14) TO BOARD WITH 2 X SADDLES(11) & 4 X SCREWS(17).
- REMOVE BOTTOM CAP OF PUMP & INSERT BREWMASTER TUBE(15).REPLACE CAP TO SECURE TUBING.
- CONNECT TO WATER SUPPLY & TEST FOR LEAKS.

Parts List				Parts List			
ITEM	QTY	PART NO:	DESCRIPTION	ITEM	QTY	PART NO:	DESCRIPTION
12	1	79002013	NIPPLE POLY 3/4 BSP	1	1	85000401	UNI BOARD ECO 425 X 700 X 15MM
13	1	79910166	VALVE NON RETURN PHILMAC 20MM	2	1	79002012	TEE POLY 3/4 BSP
14	2	81000583	TUBE FLEXLAYER III 10 X15 MM (2M LONG)	3	1	79001947	BALLVALVE 3/4 BSP 3W TPORT PVC
15	1	81000201	TUBE BREWMASTER 8X12MM NAT 1(2M LONG)	4	2	79000297	NIPPLE BRASS 3/4BSP X 1/2BSP
16	2	79120866	CLAMP STEPLESS S/S 14.5-17.0MM	5	1	81000961	HOSE BRAIDED 1/2 BSP 600MM
17	7	79611437	SCREW 10G X12 SS SELF TAP	6	1	69000460	LABEL PACK DOSING PMP BRD 3W VLV
18	1	47000065	DOSING PUMP	7	2	79630054	SCREW S/S M6 X 8 PH PHP
20	1	79147665	TEFLON TAPE GAS	10	2	79001046	DIRECTOR PL 3/4BSPM X10MM BARB
				11	2	79701372	SADDLE SS 15MM OD 1-WAY

<p>© COPYRIGHT</p> <p>This drawing and the information contained herein is the property of Hoshizaki Lancer Pty. Ltd. It must not be copied or reproduced in any form, or used for manufacture or other purposes without express permission from the copyright owner, and is to be returned upon demand. Compensation for losses will be sought for any unauthorised use or infringement, and acceptance of the above is a condition of the issue of the information within. If the recipient does not accept the above conditions the drawing is to be returned forthwith.</p> <p>5 TOOGOOD AVE. BEVERLEY 5009 S.A.</p>	<p>WORLDWIDE</p> <p>A HOSHIZAKI Company</p>	Checked by	Design State	Scale	Date	Sheet Size
		craigg	Released	NTS	28-Jan-21	A3
<p>TITLE</p> <p>DOSING PUMP BOARD 3W VLV</p>		PART No:	Revision	Sheet		
		47000084	001	1 / 1		
<p>COPYRIGHT HOSHIZAKI LANCER PTY. LTD. ABN 84 007 706 461</p>						