



With more than 50 years experience, Lancer Worldwide has a team of experts ready to provide you with a draft system that is unique to your business. Our **Founts** provide a customizable and profitable solution to pouring any draft beer at any time in the most energy efficient package the industry can offer.

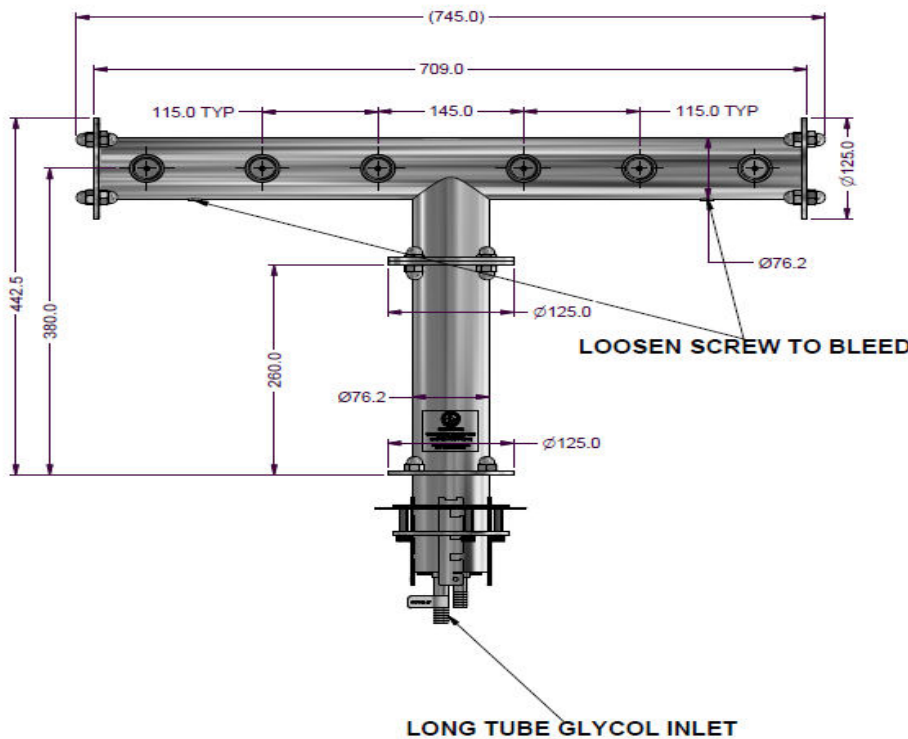
All **Founts** feature the following:

- High Polish 304 Stainless Steel Finish
- Mounting - Ladder Lock
- Various Plating Colours
- Custom made dimensions on request

OPTIONS AVAILABLE

| No of Taps | Riser Line Size | Flooded | Adaptor connect |
|------------|-----------------|---------|-----------------|
| 2-12 | 4-5 mm | All | ¾" All |

TECHNICAL DRAWING



Part No.: 34000185

T' Pipeline Fount