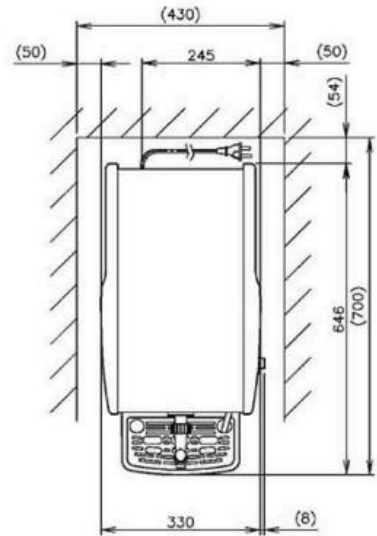
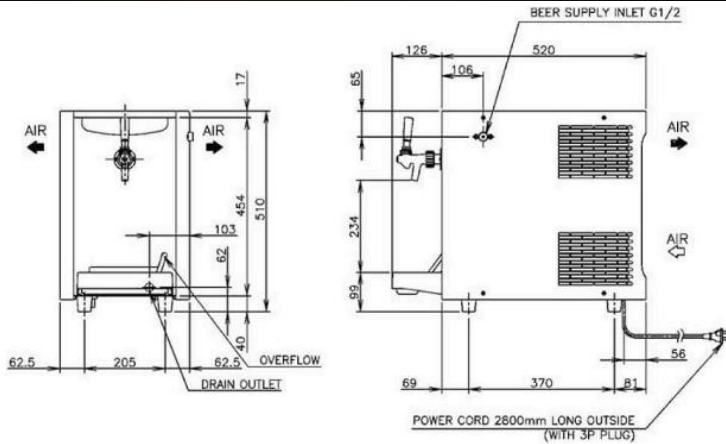


Ideal for mobile bars, exclusive gatherings, catering services, golf clubs, microbreweries, home applications, and beyond. Dispense chilled beer from a sleek and compact dispenser designed for ambient kegs. The C-tap boasts distinct beer and foam spouts, ensuring a delightful, long-lasting froth atop your brew. With its small footprint, it offers versatile placement options.



Features

- Compact high-performance design
- Dispenses cold beer straight from ambient kegs
- Beer dispenser taps c/w creamer function. Allows user to create a smooth creamy head
- Easily removable, cleanable condenser filters means minimal service calls
- Totally enclosed design
- Stainless steel outer for sleek attractive look
- Ice bank 8kg
- Plug 'n' Play beer system
- Installation kit includes:
 - Harris single AS5034 bottle mount CO2 regulator
 - Nitto coil gas line & valve
 - Keg coupler MFAB complete with pin valves
 - Beer inlet line valve
- Power supply 1 Phase 240V 50Hz (2.2A)
- Refrigerant R134a/120g
- Insulation Polyurethane Foam Cyclopentane

Configuration

Dimensions	Width: 330mm Depth: 646mm Height: 510mm
Weight	Net 28kg (Gross 31kg)
Dispensing capacity	40L (30°C to 8°C / 4 hours)
Electrical	1 Phase 240V 50 Hz
Ice storage capacity	8L
Refrigerant	R134a, 120kg
Ambient temperature	5°C - 35°C

Warranty

For warranty specifics by product, contact your Lancer Sales Representative, Equipment design and/or specifications are subject to change without notice.