

□ IBD 22



Accessories and Options

IBD 22 LCD Merchandiser

Ice Maker Compatibility

- Accepts 30" and 22" wide ice makers (adapters may be required)
- Manual front load when ice maker installed.
- Variable automatic agitation timer
- Ice maker available on request (specifications on request)

Certified by these agencies:



CUSTOMER SERVICE

Should you require more information about our products, please do not hesitate to contact our customer service team at lancerservice@lancerworldwide.com

The **IBD 22H** is Lancer's #1 selling self-serve dispenser. Hard plumbed syrup and water lines deliver excellent icy cold drinks. Versatile valve configurations and a portion control option allow for easy beverage cost monitoring. Topped with a compelling wraparound display, the IBD is a favorite.

Features

- Industry standard platforms in 22 inch - 6 valve, 30 inch - 8 or 10 valves, 44 inch - 12 valves lever or push button dispensing versatility.
- Standard LED Illumination.
- High-capacity drip tray to handle customer ice and beverage over-fill helps avoid safety hazards and drink station clean-up from spills.
- Unique hex-drive ice agitation and dispense drive system for trouble-free operation and long service life.
- High-capacity ice storage bin.
- Multiple valve configurations available for self-serve and portion control operation to control beverage costs.
- Heavy Duty Stainless Steel construction, exterior and interior
- Fully insulated storage bin and drip tray controls condensation and helps avoid moisture related safety hazards.
- Plumbing access front and rear for installation flexibility.
- Flexible soda, plain water configuration options.

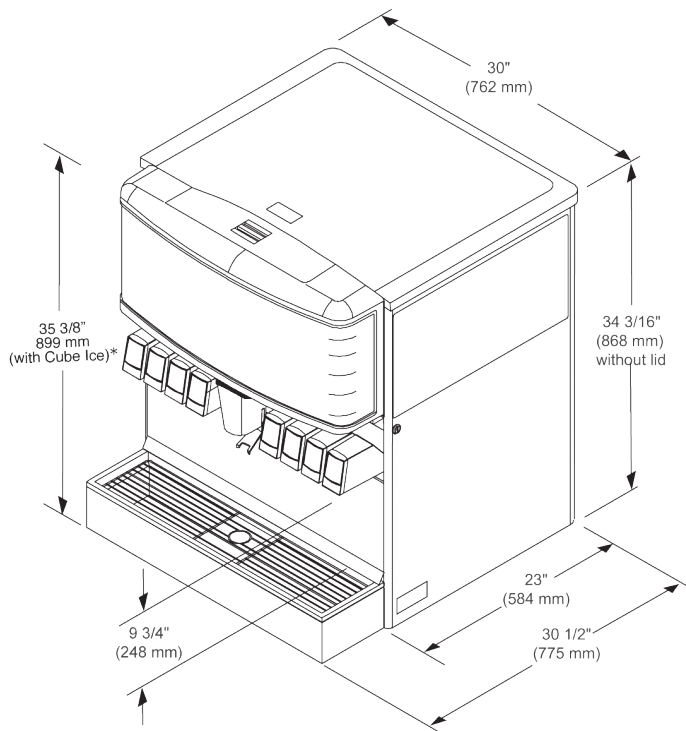


WARRANTY

For warranty specifics by product, contact your Lancer Sales Representative. Equipment design and/or specifications are subject to change without notice.

□ IBD 22

IBD 4500 Series Ice Beverage Dispensers



Distinctive Design

- IBD 22 - 6 valves (3-2-1)

Dimensions

IBD 22 - 43.00 H x 22" W x 30.5" D
(864mm H x 558 mm W x 775 mm D)

Space Required

IBD 22 - 22" W x 30.5" D - (600mm W x 800 mm D)

Height - Allow sufficient clearance for manually filling with or refer to ice maker recommendation for top clearance.

Weight

IBD 22 - With Ice: 405 lbs (184kg) - Shipping: 255 lbs (116kg)

Ice

IBD 22 - Capacity: 180 lbs (82kg) - Dispensable: 150 lbs (68kg)

Electrical

IBD 22 - 115V/60Hz, 3Amps - 230V/50Hz, 1.5Amps

Requires two electrical outlets for unit and LCD merchandiser

Fittings

Soda inlets: 9.5 mm / 3/8 inches male barb
Syrup inlets: 9.5 mm / 3/8 inches male barb

Valves

LEV® other valves available upon request

Flex Manifold Configuration

Soda- 8 valve: 3-1-1-3/10 valve: 3-1-2-1-3

Note: specifications are the same for 8 and 10 valve.

Draw Performance

Number of drinks below 4,4°C / 39°F.24°C / 75 °F ambient temperature
12 drinks/min. 350 ml (12 oz) /32°C / 90°F ambient temperature
8 drinks/min. 350 ml (12 oz)
Units can supply drinks under 4,4 °C / 39 °F at rated draw performance continuously as long as ice is kept on cold plate.