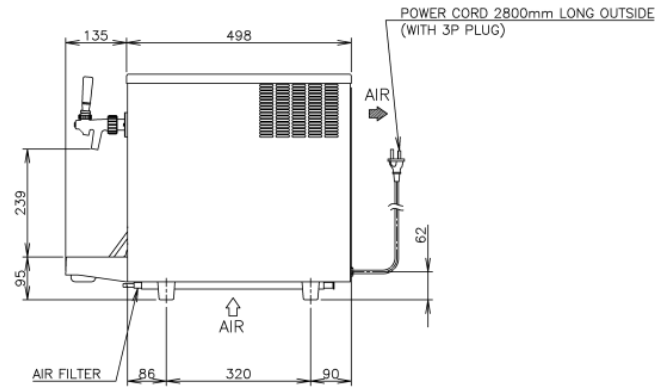
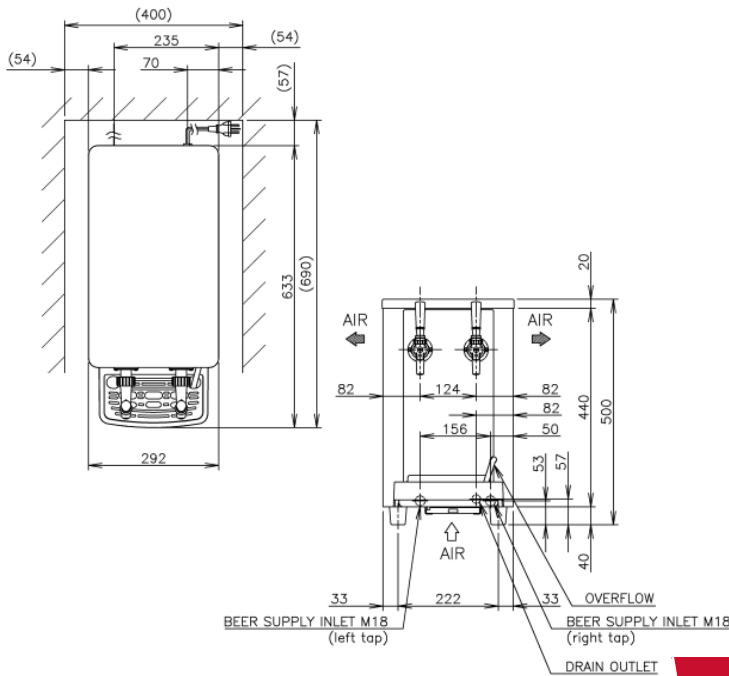




The perfect solution for cafes, restaurants, boutique bars and home use. Ideal for dispensing beer, wines, ciders or any premix beverage.



Configuration

Dimensions	Width: 292mm Depth: 633mm Height: 500mm
Weight	Net 28kg
Dispensing capacity	43L (30°C to 8°C / 4 hours)
Electrical	1 Phase 240V 50Hz
Ice storage capacity	8L
Refrigerant	R134a, 185kg
Ambient temperature	5°C - 35°C

Features

- Compact high-performance Dual tap design
- Dispenses cold beer straight from ambient kegs
- Beer dispenser taps c/w creamer function. Allows users to create a smooth creamy head
- Easily removable, cleanable condenser filters means minimal service calls
- Totally enclosed design
- Stainless steel outer for sleek attractive look
- Ice bank 8kg
- Plug 'n' Play beer system

Warranty

For warranty specifics by product, contact your Lancer Sales Representative, Equipment design and/or specifications are subject to change without notice.