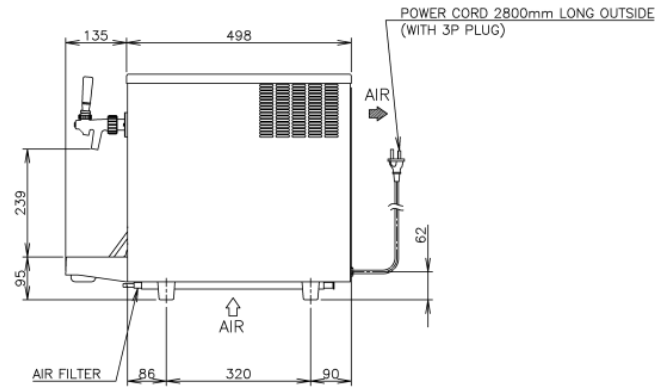
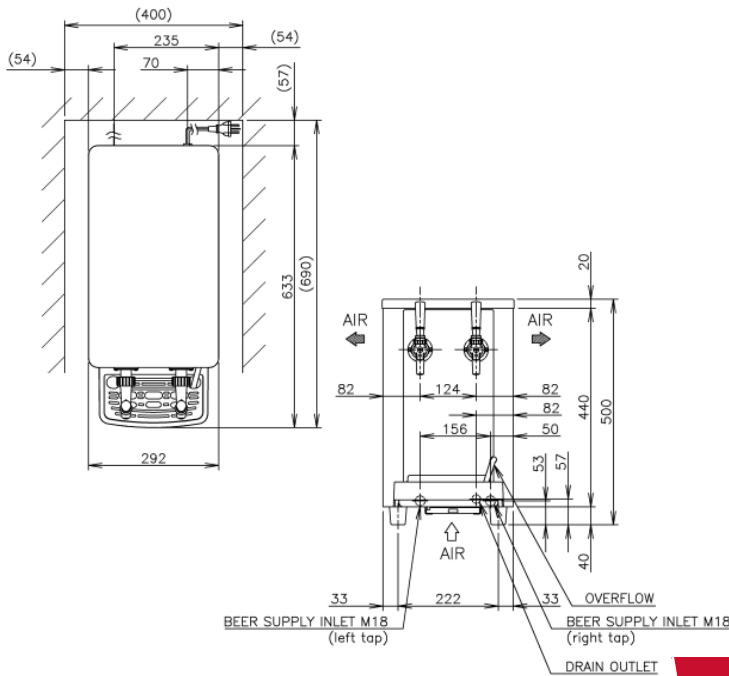


The perfect solution for cafes, restaurants, boutique bars and home use. Ideal for dispensing beer, wines, ciders or any premix beverage.



## Features

- Compact high-performance Dual tap design
- Dispenses cold beer straight from ambient kegs
- Beer dispenser taps c/w creamer function. Allows users to create a smooth creamy head
- Easily removable, cleanable condenser filters means minimal service calls
- Totally enclosed design
- Stainless steel outer for sleek attractive look
- Ice bank 8kg
- Plug 'n' Play beer system

## Configuration

<b>Dimensions</b>	Width: 292mm   Depth: 633mm   Height: 500mm
<b>Weight</b>	Net 28kg
<b>Dispensing capacity</b>	43L (30°C to 8°C / 4 hours)
<b>Electrical</b>	1 Phase 240V 50Hz
<b>Ice storage capacity</b>	8L
<b>Refrigerant</b>	R134a, 185g
<b>Ambient temperature</b>	5°C - 35°C

### Warranty

For warranty specifics by product, contact your Lancer Sales Representative, Equipment design and/or specifications are subject to change without notice.